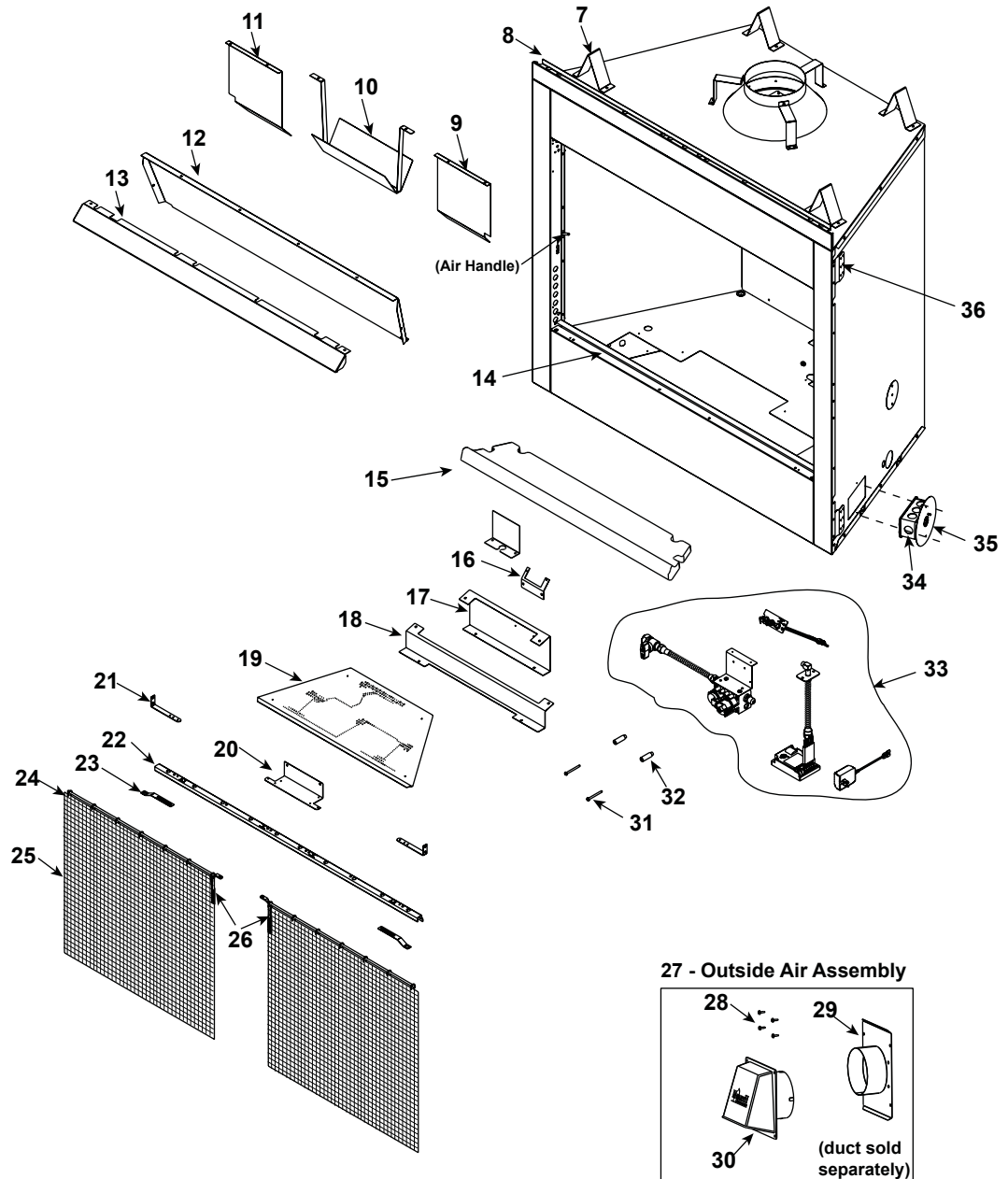
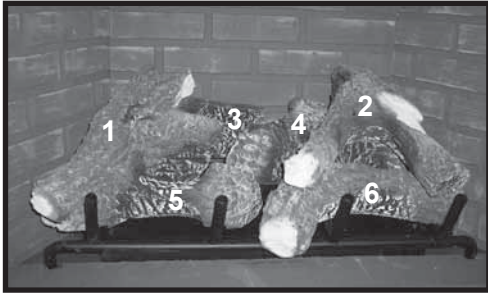


Log Set Assembly



Part number list on following page.

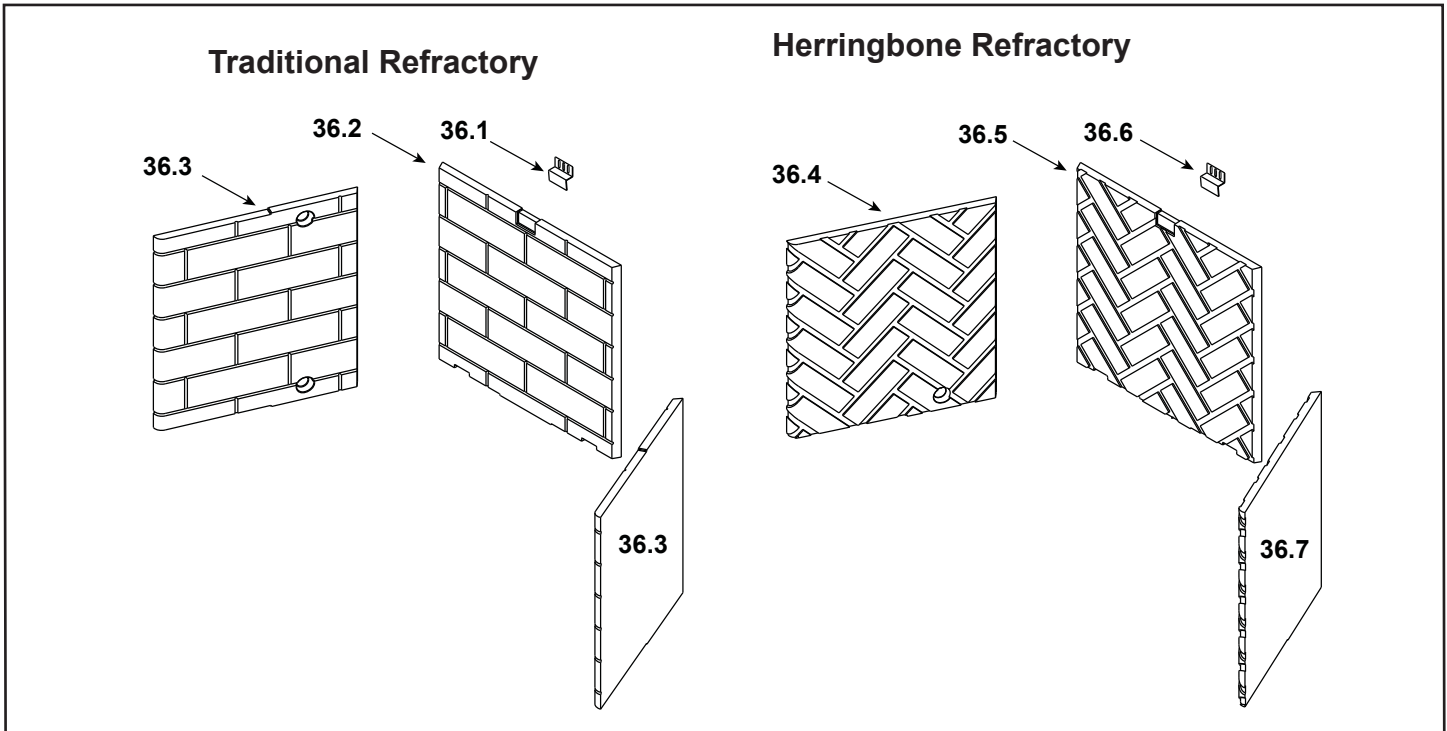
IMPORTANT: THIS IS DATED INFORMATION. Parts must be ordered from a dealer or distributor. **Hearth and Home Technologies does not sell directly to consumers.** Provide model number and serial number when requesting service parts from your dealer or distributor.



**Stocked
at Depot**

ITEM	DESCRIPTION	COMMENTS	PART NUMBER	
	Log Assembly 42"		SRV4048-058	Y
1	Top Left Log	Pre 5/15/16, Must order complete assembly	SRV4048-184	
2	Top Right Log		SRV4048-185	
3	Back Left Log		SRV4048-242	
4	Back Right Log		SRV4048-243	
5	Front Left Log		SRV4048-244	
6	Front Right Log		SRV4048-245	
	Grate Assembly		SRV4048-034	Y
7	Top Standoff	Qty 4 reg	4044-111	
8	Drywall Lip		4048-162	
9	Right Baffle		4048-116	
10	Flue Baffle Assembly		4048-020	
11	Left Baffle		4048-115	
12	Smoke Shield		4048-128	
13	Hood		29576	
14	Hearth Retainer		4044-109	
15	Hearth Refractory		4048-201	
16	Pilot Bracket		4048-136	
17	Back Burner Support		4048-138	
18	Front Burner Support		4048-137	
19	Burner Pan Assembly - NG		4048-024	Y
	Burner Pan Assembly - LP		4048-025	Y
20	Screen Bracket		4048-169	
21	Upper Door Bracket	Qty 2 reg	4048-142	
22	Door Track		15427	
23	Door Pivot Clip	Qty 2 reg	31527	
24	Firescreen Rod		12052	Y
25	Firescreen Assembly	Qty 2 reg	4048-019	
26	Firescreen Handle		10002	
27	Outside Air Assembly		4044-036	Y
28	Fastener Pack		13580	
29	Outside Air Plate Assembly		4044-031	
30	Outside Air Shield		33271	Y
31	Door Pin Screw	Qty 2 reg	4021-384	
32	Door Pin	Qty 2 reg	4021-385	
33	Valve Assembly		Refer to valve page	
34	Junction Box		21878	Y
35	Junction Box cover Plate		4048-234	
36	Nailing Flange	Qty 4 reg	4044-161	
	Surround Replacement Overlay		CUST4018-001	
Reference following parts: Bottom Face (4044-105), Upper Front Face (4048-182), Right Column (4044-104) or Left column (4044-143) CUST4018-001 Must be ordered				

Additional service part numbers appear on following page.



IMPORTANT: THIS IS DATED INFORMATION. Parts must be ordered from a dealer or distributor. **Hearth and Home Technologies does not sell directly to consumers.** Provide model number and serial number when requesting service parts from your dealer or distributor.

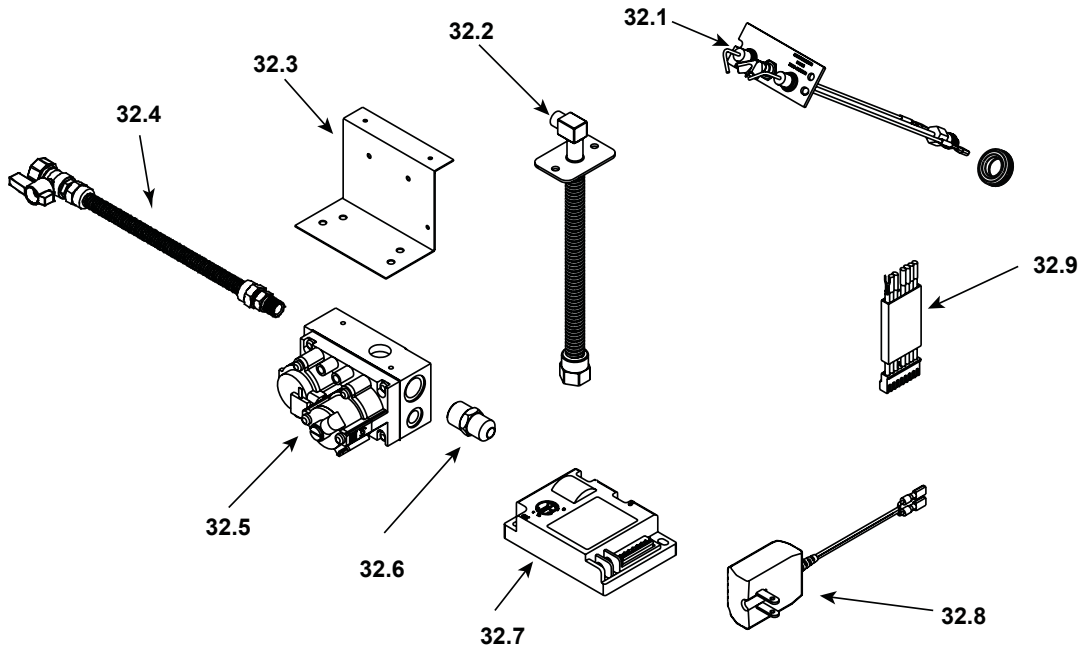


Stocked at Depot

ITEM	DESCRIPTION	COMMENTS	PART NUMBER	
RBV4842 Traditional Refractory				
	Refractory Assembly		4048-197	
36.1	Refractory Retainer		11847	
36.2	Back Refractory		4048-207	
36.3	Side Refractory	Qty 2 reg	4048-208	
RBV4842 Herringbone Refractory				
	Refractory Assembly		4048-199	
36.4	Left Side Refractory		4048-205	
36.5	Back Refractory		4048-203	
36.6	Refractory Retainer		11847	
36.7	Right Side Refractory		4048-204	
Additional Parts				
	Damper Kit		DG3	
	Gas Operations Manual		71680	
	Hair Pin Clip		101025/24	Y
	Installation Instructions & Owner's Manual		4048-210	
	Lava Rock Bag Assembly		4040-094	
	Lava Rock		4021-296	
	Mineral Wool		14333B	
	Vermiculite		28746	
	Limit Switch		4021-383	Y

Additional service part numbers appear on following page.

#32 Valve Assembly



IMPORTANT: THIS IS DATED INFORMATION. Parts must be ordered from a dealer or distributor. **Hearth and Home Technologies does not sell directly to consumers.** Provide model number and serial number when requesting service parts from your dealer or distributor.



Stocked at Depot

ITEM	DESCRIPTION	COMMENTS	PART NUMBER	
32.1	Pilot Assembly NG		2090-012	Y
	Pilot Assembly LP		2090-013	Y
32.2	Flexible Bulkhead		7000-156	Y
32.3	Valve Bracket		4048-132	
32.4	Flex Ball Valve Assembly		302-320A	Y
32.5	Valve NG		593-500	Y
	Valve LP		593-501	Y
32.6	Brass Connector - Male - Flex	Pkg of 5	303-315/5	Y
32.7	Control Module		593-592	Y
32.8	3V Adapter		593-593A	Y
32.9	Wire Assembly		593-590A	Y
	Battery Pack		593-594A	Y
	Orifice - .125 C NG		4021-391	Y
	Orifice - #48C LP		582-848	Y
	Wire Assembly - HIBLK60FM		34937	Y
	Wire Assembly - HIBLU60FF		4018-022	
	Wall Switch Wire Assembly		4018-046	Y
	Propane Gas Conversion Kit		DCKP-RBV	Y
	Natural Gas Conversion Kit		DCKN-RBV	Y